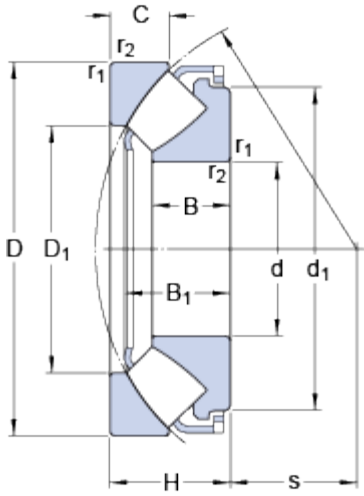


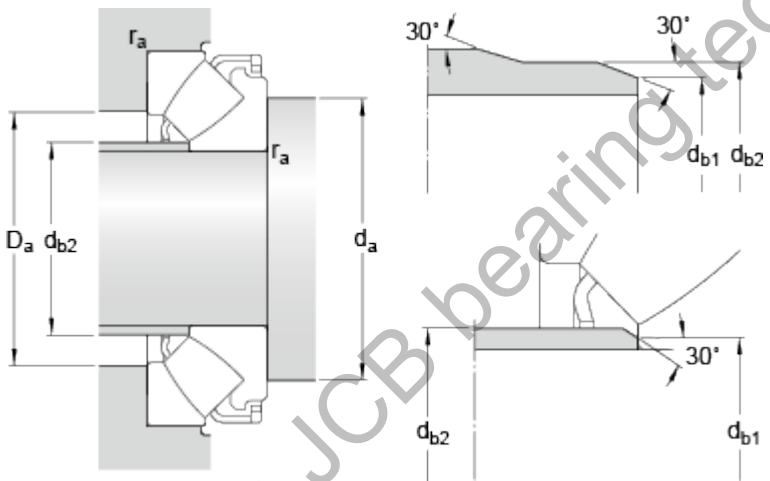
# 29318 EX

## Dimensions



d	90	mm
D	155	mm
H	39	mm
d <sub>1</sub>	≈ 138	mm
D <sub>1</sub>	≈ 115	mm
B	24.5	mm
B <sub>1</sub>	34.5	mm
C	19.5	mm
s	53	mm
r <sub>1,2</sub>	min. 1.5	mm

## Abutment dimensions



d <sub>a</sub>	min. 120	mm
d <sub>b1</sub>	max. 95	mm
d <sub>b2</sub>	max. 95	mm
D <sub>a</sub>	max. 134	mm
r <sub>a</sub>	max. 1.5	mm

## Calculation data

Basic dynamic load rating	C	400	kN
Basic static load rating	C <sub>0</sub>	1080	kN
Fatigue load limit	P <sub>u</sub>	132	kN
Reference speed		2400	r/min
Limiting speed		4000	r/min
Minimum axial load factor	A	0.11	

## Mass

Mass bearing	2.85	kg
--------------	------	----